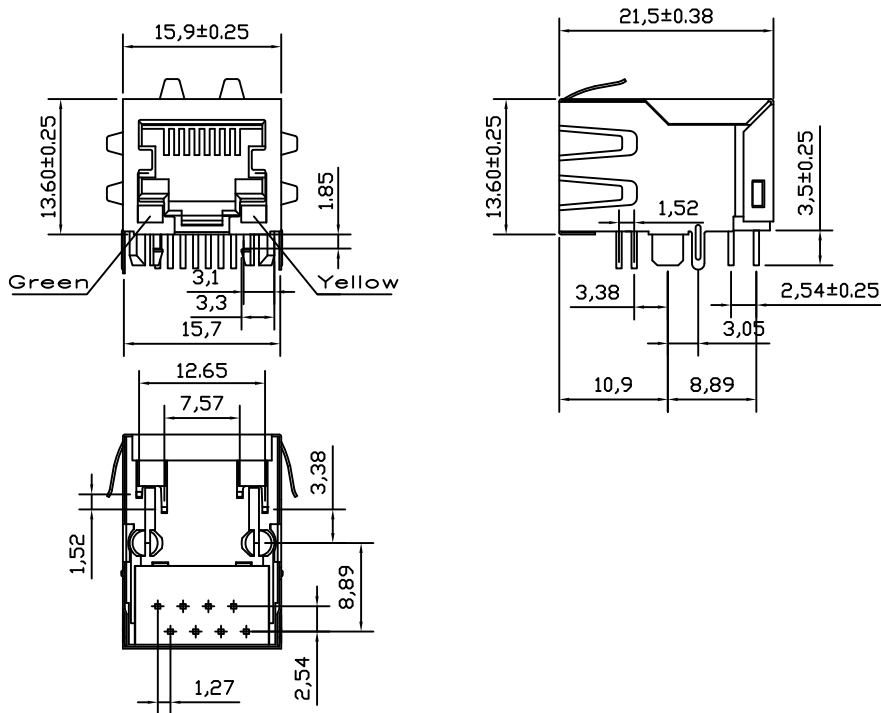
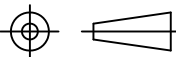


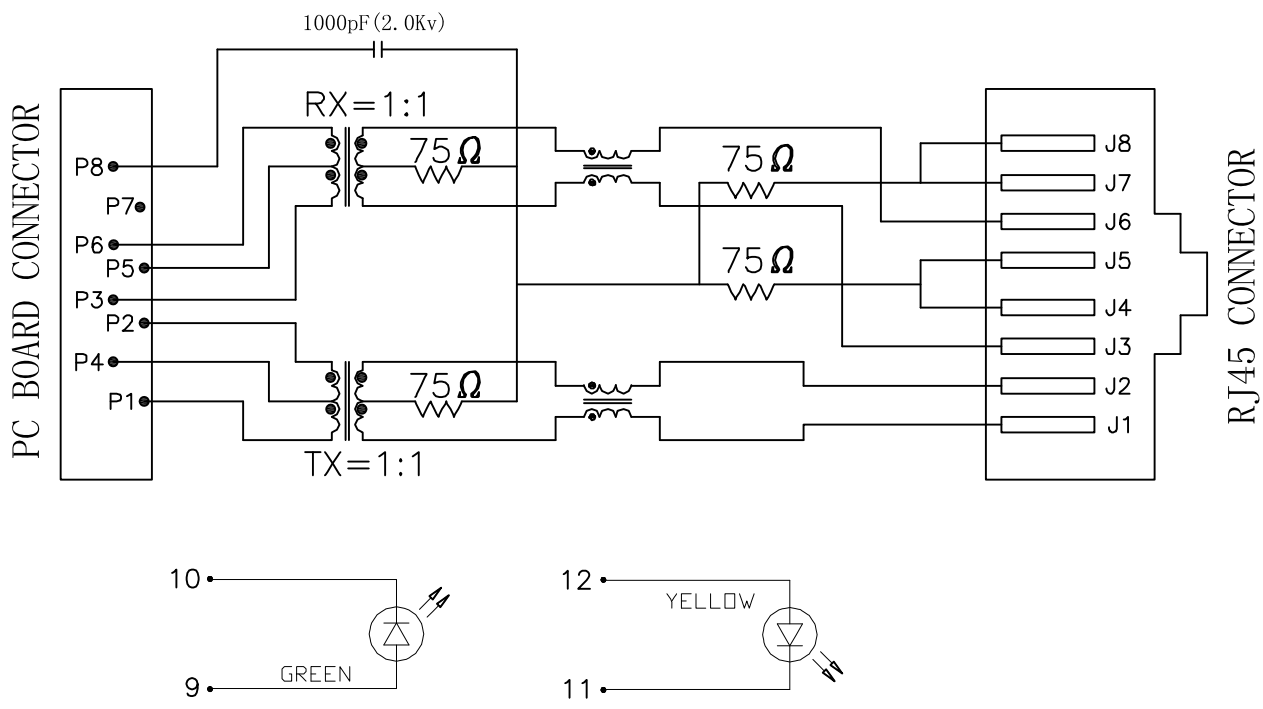
PCB Layout



NOTE:

1. Shielded - 0.20mm THICKNESS BRASS C2680 H.
PLATING NICKEL 30u"-50u".
2. Housing- Standard Material Nylon66 30%G.F, Glass Filled Polyester UL94V-0 Standed Color Black.
3. Insert Pin- Plastic: PBT 30%G.F, UL94V-0, Standard Color Black.
Pin: 0.35mm Thickness Phos-Bronze C5210 EH.
Plating: Nickel 40u"~60u" for all and Sn 100%
, and Gold Plating.
4. Contact Pin- Plastic: PBT 30%G.F, Glass Filled, UL94V-0,
Standard Color Black.
Pin: 0.35mm Thickness Phos-Bronze C2680.
Plating: Nickel 40u"~60u" for all and Sn 100%.

		DFTO Tom	DATE: 2011/04/12	<h1>ELLAX</h1>	
單位: MM		CHKD W.B.Hang	DATE: 2011/04/12		
長度公差		MFO	DATE:		
角度公差		APPVL	DATE:		
.0 ± 0.38	±	脫模角:	顏色:	TITLE 名稱 1X1 20.57 GANG JACK LED孔全簧(10/100 Base-T Jack)	
.00 ± 0.20	±	MATERIAL: 材 質:			
.000 ± 0.10	±	TREAT: 處 理:		DRAWING NO. 圖檔編號: ELJ8101BJD4A3GYD-1R	
 THIRD ANGLE PROJECTION 第 三 角		Q'TY: 數 量:			
		SCALE: 比 例: 1:1		DRAWING NO. 客戶編號:	



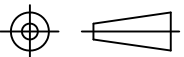
ELECTRICAL SPECIFICATIONS@25 :

Turn Ratio(±3%): (3-6):(3-6)=1CT:1CT,(1-2):(1-2)
 INSERTION LOSS (0.3-100MHz): -1.0dB MAX.
 Return Loss (dB MIN):
 -18dB (30MHz), -15dB (50MHz), -12dB(80MHz)
 Cross talk (dB MIN):
 -38dB (30MHz), -38dB (60MHz), -38dB (100MHz)
 CMR(dB TYP):
 -40dB (30MHz), -40dB (60MHz), -40dB (100MHz)
 HI-POT TEST:1500Vrms/0.5mA/2Sec.
 PRIMARY INDUCTANCE: 350uH MIN @100KHz/0.1V, 8mA
 D.C.BIAS
 RoHS compliance: YES

REMARKED:

ELJ8101BJD4A3GYD-1R

- ROHS
- Plating: 1:Gold 6u"
- LED:L=Green, R=Yellow.
- CORES QTY: 4: 4 PCS
- 10/100 Base-T
- 全簧片
- Series

		DFTO Tom	DATE: 2011/04/12	<h1>ELLAX</h1>		
單位: MM		CHKD W.B.Hang	DATE: 2011/04/12			
長度公差	角度公差	MFO	DATE:	TITLE 名稱 1X1 20.57 GANG JACK LED孔全簧(10/100 Base-T Jack)		
.0 ± 0.38	±	APPVL	DATE:			
.00 ± 0.20	±	脫模角:	顏色:			
.000 ± 0.10	±	MATERIAL: 材 質:				
 THIRD ANGLE PROJECTION 第 三 角		TREAT: 處 理:		DRAWING NO.	SIZE	REV A
		Q'TY: 數 量:		圖 檔 編 號: ELJ8101BJD4A3GYD-1R		
		SCALE: 比 例: 1:1		DRAWING NO.	客 戶 編 號:	2 of 2