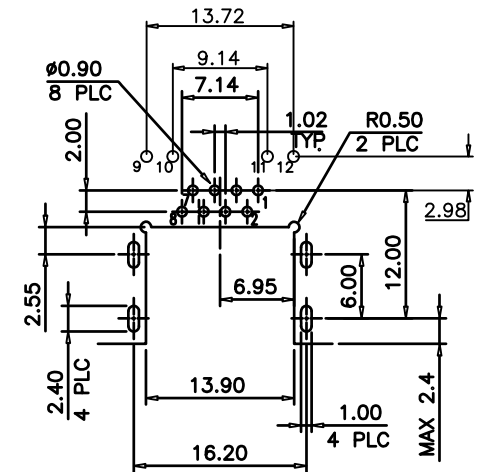
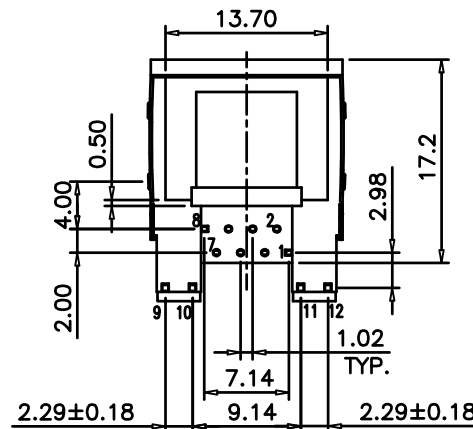
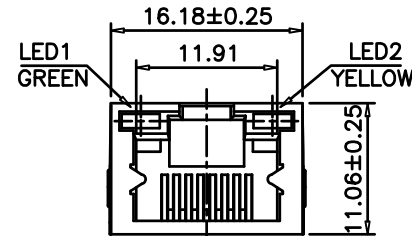
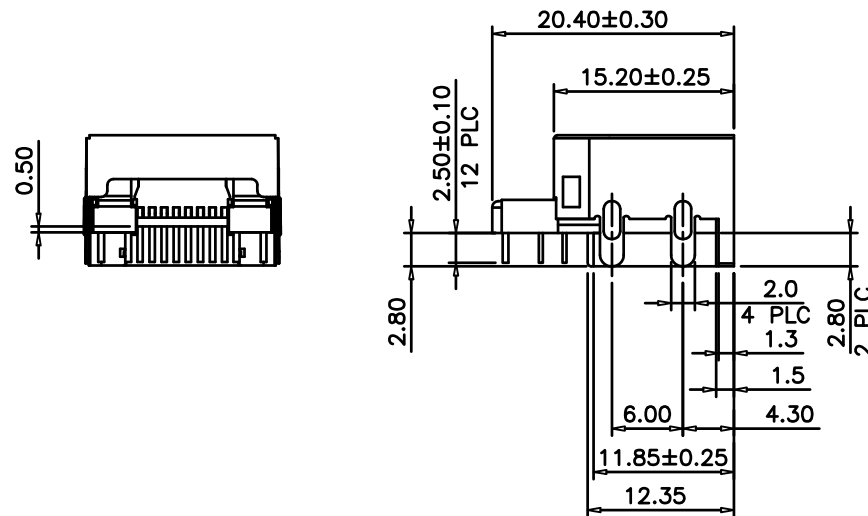
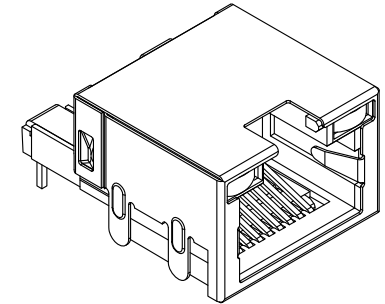
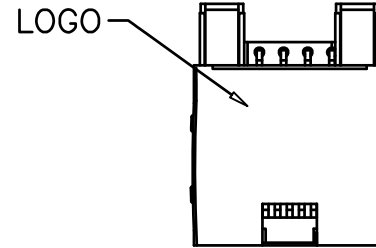


REVISION RECORD				
REV	ECO	DESCRIPTION	DRFT	CHKD



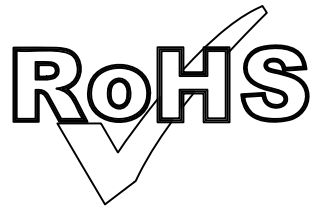
**RECOMMENDED PCB JACK**  
**TOP VIEW**  
 FOR 1.2MM THICKNESS

**MATERIAL:**

- HOUSING—DUPONT ZENITE LCP 6130L UL94V-0  
HEAT DEFLECTION TEMP.265°  
STANDARD COLOR—BLACK
- CONTACTS—0.35mm THICK PHOS—BRONZE PLATED  
WITH HARD GOLD AND GOLD FLASH IN  
SOLDER AREA.
- SHIELD—0.20mm THICK COPPER ALLOY,  
PLATED WITH NICKEL.

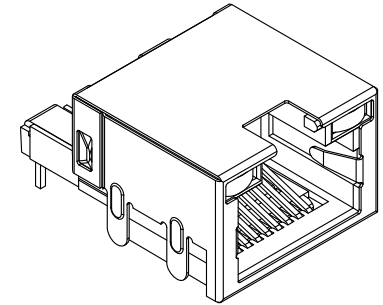
CAVITY CONFIRMS TO FCC RULES AND REGULATIONS  
 PART 68,SUBPART F.

DETACHED LISTS	MM	±	DFTD Tony DATE 2010/02/25	<b>ELLAX</b>	
	.0 ± 0.25	±			CHKD Huang DATE 2010/02/25
	.00 ± 0.20	±			MFD Huang DATE 2010/02/25
	.000 ± 0.10	±			APPVL Win-Pin DATE 2010/02/25
ANGLES ± 0.5			TREAT :	TITLE MODULAR JACK, RJ45, WITH LED'S, DIP TYPE.	
 THIRD ANGLE PROJECTION			Q'TY :	DRAWING NO. EL98BL-88JSO-GYD-G-XR	
			SCALE : 4:1	/PART NO.	
				SIZE A4	
				REV A	
				1 OF 3	



REVISION RECORD				
REV	ECO	DESCRIPTION	DRFT	CHKD

# PART NO. INSTRUCTIONS



## EL98BL-88JS0-GYD-G-4R

RoHS Compliance

- F=3u"
- 1=6u"
- 2=15u"
- 3=30u"
- 4=50u"

LED EXTENSION TYPE  
ADD BOTTOM COVER & LED COVER.

THE STYLES OF LED LIGHT

GYD =LED1: GREEN  
LED2: YELLOW

SHIELDED WITHOUT GROUNDING.

WITH LOGO

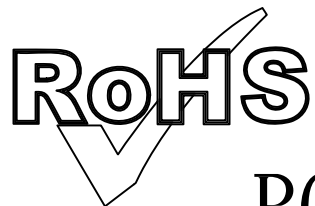
SERIES NUMBER

COLOR OF HOUSING:  
BLACK FOR LCP

8 POSITION

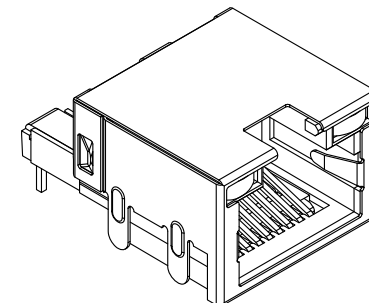
8 CONTACTS

DETACHED LISTS	DFTD Tony		DATE 2010/02/25		<h1>ELLAX</h1>
	CHKD Huang		DATE 2010/02/25		
	MFD Huang		DATE 2010/02/25		
	APPVL Win-Pin		DATE 2010/02/25		
MM		±		MATERIAL :	
.0 ± 0.25		±		TREAT :	
.00 ± 0.20		±		Q'TY :	
.000 ± 0.10		±		SCALE : 4:1	
ANGLES ± 0.5		THIRD ANGLE PROJECTION		DRAWING NO. EL98BL-88JS0-GYD-G-XR	
				/PART NO.	
				SIZE	REV
				A4	A
				2 OF 3	



# BOM FOR EL98BL-88JS0-GYD-G-XR

REVISION RECORD				
REV	ECO	DESCRIPTION	DRFT	CHKD



ITEM	DESC.	SUPPLIER	PLATING
HOUSING	LCP ZENITE(R) 6130L BK010	DU PONT	
CONTACT	PHOSPHOR BRONZE C5210-EH	FORETECH	1. MATERIAL: CONTACT- 0.35mm THICKNESS PHOS-BRONZE C5210R-EH 2. PLATING NICKEL 30u"~50u" FOR ALL 3. PLATING GOLD FLASH FOR 2-"A" AREA 4. PLATING Au=50u" 5. BURR: 0.02mm MAX
SHIELD	COPPER ALLOY		COPPER ALLOY  30u"~50u" NICKEL PLATED ALL OVER
LED LAMP	GaP	J-LIGHT	Cu & Ni(50u" MIN.)-Sn(120u" MIN)

DETACHED LISTS	DFTD Tony	DATE 2010/02/25	<h1>ELLAX</h1>		
	CHKD Huang	DATE 2010/02/25			
	MFD Huang	DATE 2010/02/25	TITLE MODULAR JACK, RJ45, WITH LED'S, DIP TYPE.		
	APPVL Win-Pin	DATE 2010/02/25			
	MM	±	MATERIAL :	DRAWING NO. EL98BL-88JS0-GYD-G-XR	SIZE
.0 ± 0.25	±	TREAT :	/PART NO.	A4	A
.00 ± 0.20	±	Q'TY :			
.000 ± 0.10	±	SCALE : 4:1			
ANGLES ± 0.5					
 THIRD ANGLE PROJECTION					